

## AED EV Fuse



### FEATURES:

- 500 VDC automotive grade EV fuse
- Rated Current: 225-400 A
- Rated Breaking Capacity: 50 kA
- Time Constant: 10-15 ms
- Dimensions: 53x36 mm, flush end contact mounting
- Fast Acting fuse for EV/HEV, HV Connectors, Manual Service Disconnects (MSD)
- Ref. to IEC 60269-4

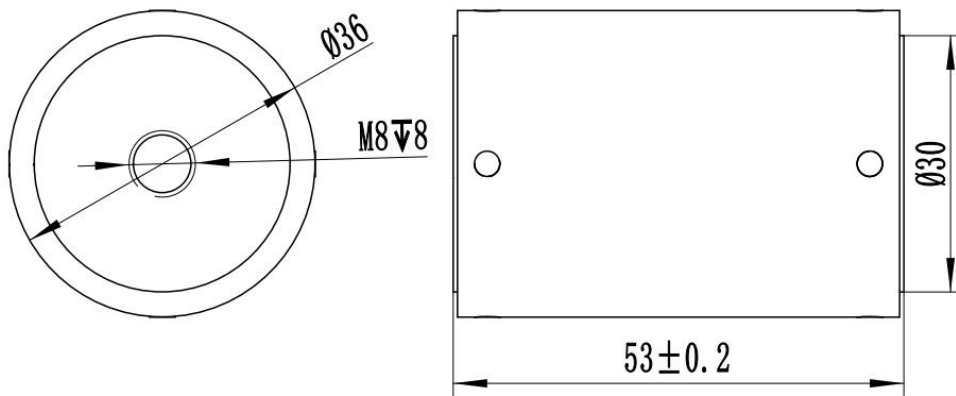
### ELECTRICAL SPECIFICATIONS

Part Number	Rated Current	Rated Voltage	Breaking Capacity	0.5In Dissipation (W)
AED3225600	225 A	500 VDC	50 kA@500 VDC	5.8
AED3250600	250 A			6.5
AED3275600	275 A			7.3
AED3300600	300 A			7.8
AED3325600	325 A			8.2
AED3350600	350 A			9.2
AED3400600	400 A			13.5

#### Note:

(1) Temperature Rise:  $\leq 50$  K at 50 % of rated current at 20°C environment temperature.

### DIMENSIONS (mm)



**TIME CURRENT CURVE**

