

AT8 EVSE Fuses



FEATURES:

- 800 VDC EVSE fuse
- Rated Current: 50-150 A
- Rated Breaking Capacity: 20 kA
- Dimensions: 18x68, 30x65 mm
- General purpose fuse for EV charging equipment
- Ref. to UL 248-13
- Approvals: UL(File: E485737)
- Recommended fuse holder: BFR091-10-M8, BFR087-35-M8

ELECTRICAL SPECIFICATIONS

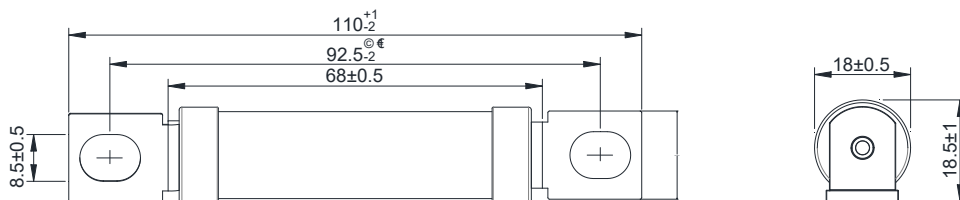
Part Number	Rated Current	Ampere Code	Rated Voltage	Breaking Capacity	Dimensions and Bolt Size
AT82500302	50A	2500	800 VDC	20 kA@800 VDC	18x68mm Bolt Size: M8
AT82600302	60A	2600			
AT82800302	80A	2800			
AT83100302	100A	3100			
AT82600702	60A	2600	800 VDC	20 kA@800 VDC	30x65mm Bolt Size: M8
AT82700702	70A	2700			
AT82800702	80A	2800			
AT82900702	90A	2900			
AT83100702	100A	3100			
AT83125702	125A	3125			
AT83150702	150A	3150			

Note:

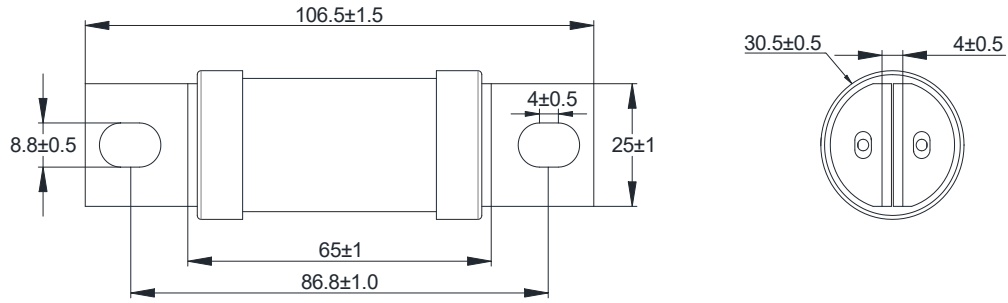
Temperature Rise: $\leq 45K$ at 60 % of rated current

DIMENSIONS (mm)

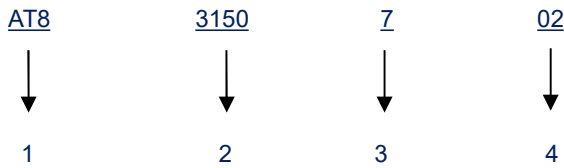
AT8xxxx302



AT8xxx702

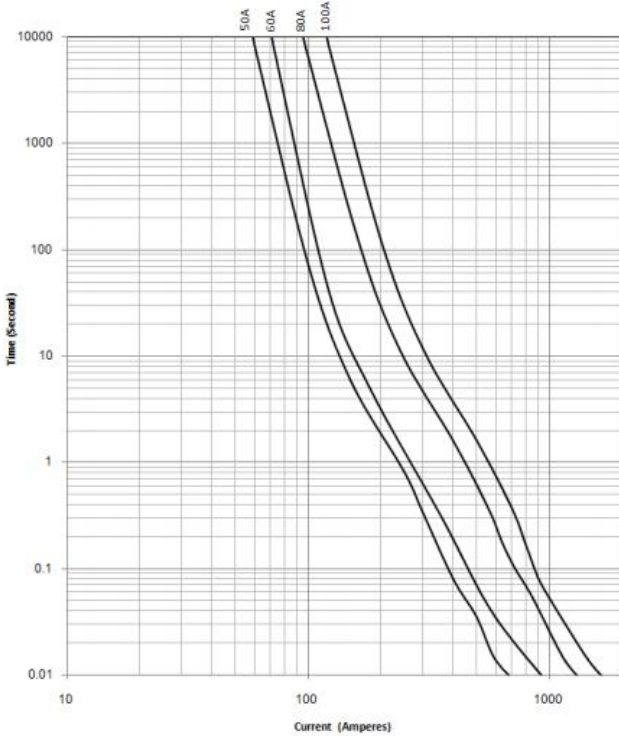


PART NUMBER SYSTEM

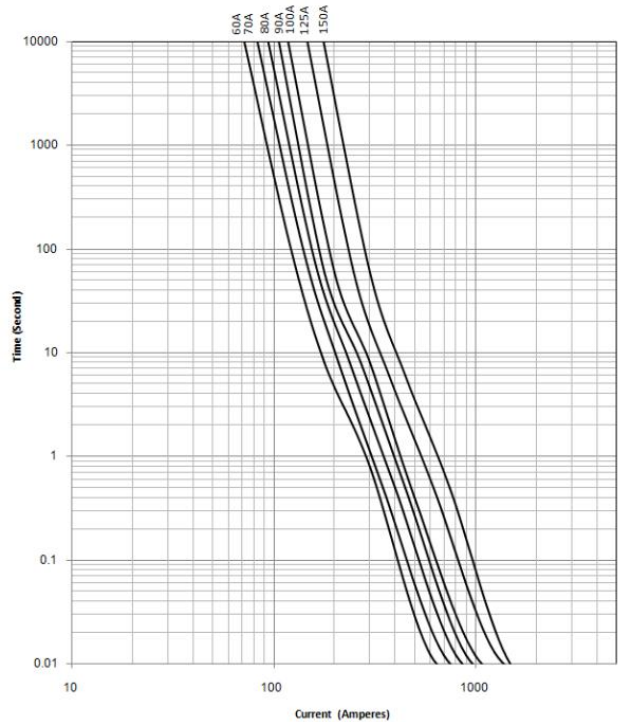


- 1Product Series AT8
- 2 Ampere Code 150 A (see ampere code column of electrical specifications)
- 3 Size 3: 18x68 mm, 7: 30x65 mm
- 4 Supplementary Code 02: default

TIME CURRENT CURVE
AT8xxx302



TIME CURRENT CURVE
AT8xxx702





adler®

Modify Record

No.	Date	Modify Content	Version	Prepared	Check
1	2017.01.01	Initial	Rev.000	Jeffery	Ada
2	2018.06.15	Change the AT8xxx302 dimensions	Rev.001	Jeffery	Ada
3					
4					
5					
6					
7					
8					
9					
10					
11					
12					
13					
14					
15					
16					
17					
18					
19					
20					
21					
22					